

No more worries about obtaining the perfect groove!

LIGHT GROOVE 150DX

25A - 400A (1" - 16")

Standard Model: 2" - 6"

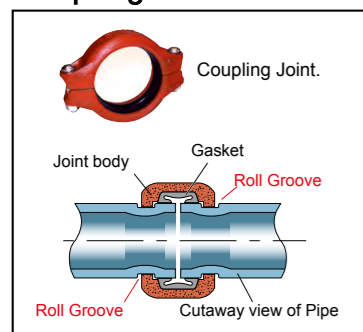
For on-site and shop grooving of 1"- 16" Schedule 10 and, 1"- 12" Schedule 40 steel pipe.

Utilises REX's latest technology to minimise cost and improve efficiency. Self-centring head minimises pipe flare and secures the pipe firmly in the machine. Automatic pump and indicator lamp ensure stable grooving. Designed for maximum productivity and lowest cost per groove.

Automatic Pump

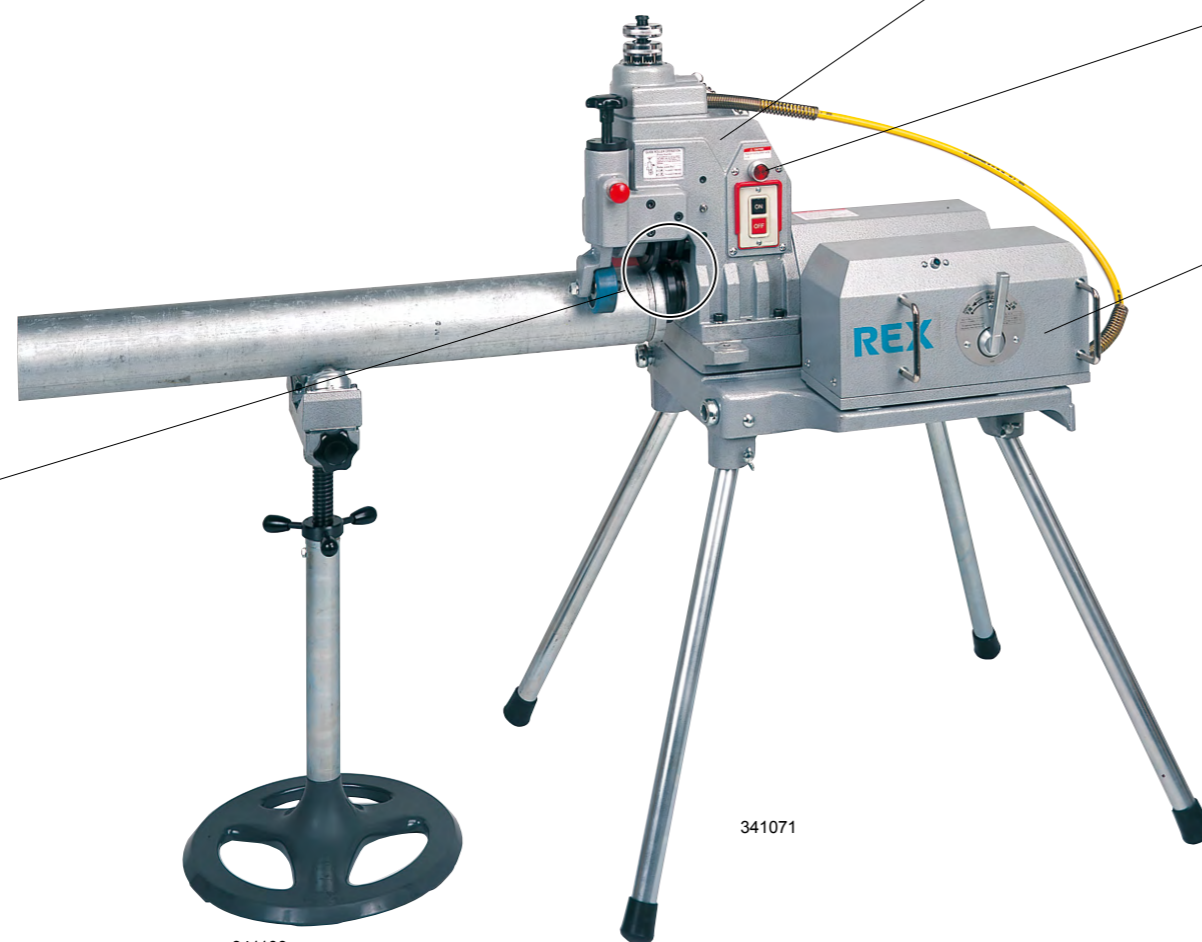
RG 150A

Coupling Joint



Roller

Roll grooving is different to cut grooving. Roll grooving is a process by which the pipe is deformed under pressure, which maintains its strength. Numerous reports indicate that roll grooving prevented damage to pipelines during the 1995 Kobe Earthquake, Japan.



341109
* Pipe support optional.

Code No.	341080	341071, 341074 (CE)
Model	RG-150 (Hand Pump)	RG-150A (Auto Pump)
Pipe Capacity (in.)	1 - 16 Sch. 10 steel pipe 1 - 12 Sch. 40 steel pipe (Standard Model: 2 - 6 roller Sch. 10 - 40 : 341133)	
Motor	700 W Series motor	
Voltage (V)	220 (110 V available)	
Rotation Speed (rpm)	49 (Unloaded)	
Dimensions (mm)	D685 x W490 x H625	
Net Weight (kg)	75	85

Standard Accessories	Tool box, Spirit level, Spanner, T-wrench, Grease 341133: Roller Set 2"- 6" (Sch. 10 - 40), 341125 Spacer 1"- 6"
Optional Accessories	341112: Main Shaft For Roller 1"- 1½" (150DX) 341113: Roller Set 1"- 1½" (Sch. 10 - 40) 341111: Roller Set 8"- 12" (8": Sch. 10 - 40, 10"- 12": Sch. 10) 341137: Roller Set 10"- 12" (Sch. 40) 341136: Roller Set 14"- 16" (Sch. 10) For Thin-wall Stainless Steel Pipe (Schedule 5S - 10S) 341112: Main Shaft For Roller 1"- 1½" 341118: Roller Set SUS 30-50Su (1"- 1½": Sch. 5S-10S) 341119: Roller Set SUS 60-80Su (2"- 3": Sch. 5S-10S) 341120: Roller Set SUS 100-50Su (4"- 6": Sch. 5S-10S)

Self-centring Head

The head adjusts up to an amazing 8° to ensure a perfectly centred groove every time. The carrying handles also serve as guides to make setting pipes easier.

Indicator Lamp

The indicator lamp automatically lights up when grooving is complete so that even a novice can be sure of achieving the correct groove depth.

Automatic Pump

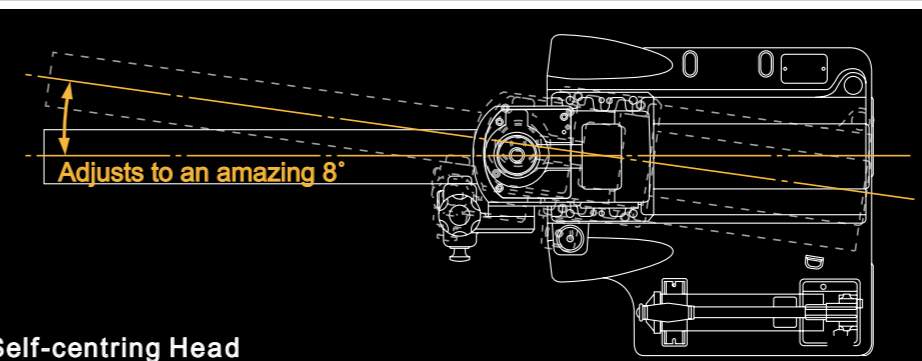
The electric powered pump was developed specifically for this machine to make accurate grooving easier.

Hand Pump

RG 150



341080



Spacer (Groove Depth Gauge)



Roller Set

Standard	Optional			
341133 Roller Set 2"- 6"	341112 341113 Roller Set 1"- 1½"	341111 Roller Set 8"- 12"	341137 Roller Set 10"- 12"	341136 Roller Set 14"- 16"

Accessories for Groovers

Code No.	Description	Light Groove	Portable Groover H	Portable Groover M
341111	Roller Set 8"-12" (8": Sch. 10 - 40, 10"-12": Sch. 10)	●	●	
341112	Main Shaft For Roller 1"-1½" (150DX)	●		
341141	Main Shaft For Roller 1"-1½" (RG-RH)		●	
341113	Roller Set 1"-1½" (Sch. 10 - 40)	●	●	
341133	Roller Set 2"- 6" (Sch. 10 - 40)	●*	●*	
341136	Roller Set 14"-16" (Sch. 10)	●		
341137	Roller Set 10"-12" (Sch. 40)	●	●	
341138	Roller Set 14"-16" (Sch.10)		●	
341118	Roller Set SUS 30 - 50Su (1" - 1½": Sch. 5S - 10S)	●	●	
341119	Roller Set SUS 60 - 80Su (2" - 3": Sch. 5S - 10S)	●	●	
341120	Roller Set SUS 100 - 150Su (4" - 6": Sch. 5S - 10S)	●	●	●
341551	Roller Set 1"			●
341552	Roller Set 1½"			●
341554	Mount Base R1 REX50A Machine			●
341555	Mount Base R2 REX80A Machine			●
341556	Mount Base E1 #300			●
341557	Mount Base E2 #300 Compact			●
341558	Roller Set 2" - 6"			●*
341559	Mount Base R3 REX N100A Machine			●
341560	Mount Kit M-HR1 REX 50A Machine		●	
341561	Mount Kit M-HR2 REX 80A Machine		●	
341562	Mount Kit M-HR3 REX N100A Machine		●	
341563	Mount Kit M-HE1 #300		●	
341124	Spacer 8" - 12"	●	●	
341125	Spacer 1" - 6"	●*	●*	●
341121	GV Gauge 1"	●	●	●
341122	GV Gauge 1¼"	●	●	●
341123	GV Gauge 1½"	●	●	●
341126	GV Gauge 2"	●	●	●
341127	GV Gauge 2½"	●	●	●
341128	GV Gauge 3"	●	●	●
341129	GV Gauge 4"	●	●	●
341130	GV Gauge 5"	●	●	●
341131	GV Gauge 6"	●	●	●
341132	Circumference GV Gauge	●	●	●
341206	GV Gauge 8"	●	●	●
341207	GV Gauge 10"	●	●	●
341208	GV Gauge 12"	●	●	●

* Standard Equipment